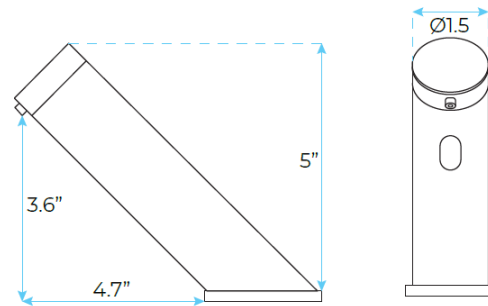
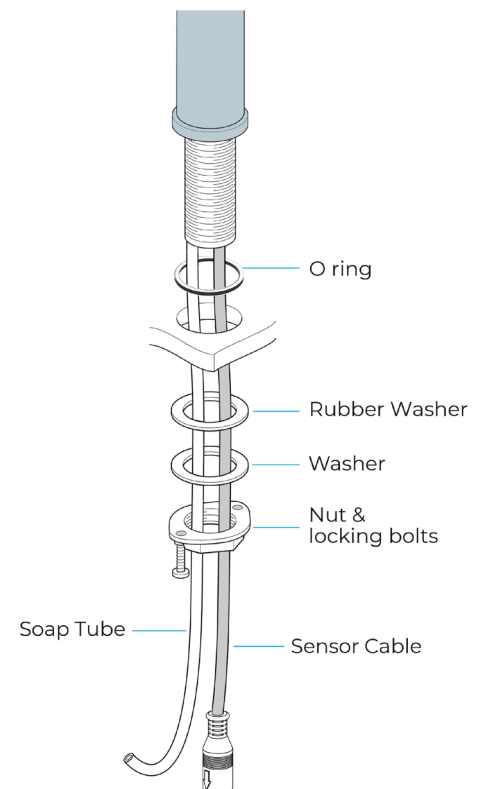


BATHSELECT CHROME COMMERCIAL AUTOMATIC FOAM AUTOMATIC SOAP DISPENSER SPECS



Specs:

- Product Type: Commercial
- Main Construction Material: Brass
- Mount Type: Deck
- Handle Type: Infra-Red
- Power supply: AC: 220V / DC: 1.5V 4pcs
- Batteries Required: 4 AA Batteries (not supplied)
- Number of Tap Holes: 1
- Valve/Cartridge Type: Solenoid Valve
- Plumbing System Requirements: Suitable for all plumbing systems
- Sensing Range: 0 - 30cm
- Activation Time: 0.5 - 1s
- Viscosity of Liquid Soap: 100-3500cp (mpA .s)
- Soap volume: ≤2mL/ times (four gears)



[Visit Product Page](#)